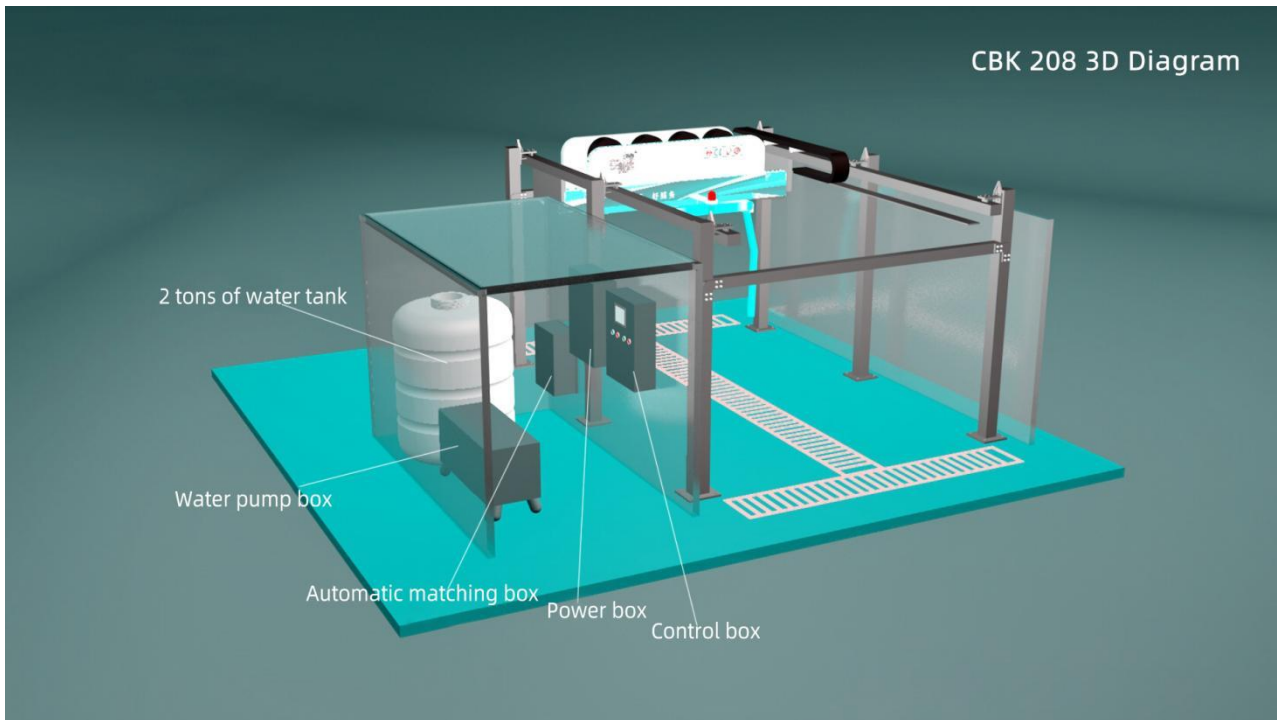


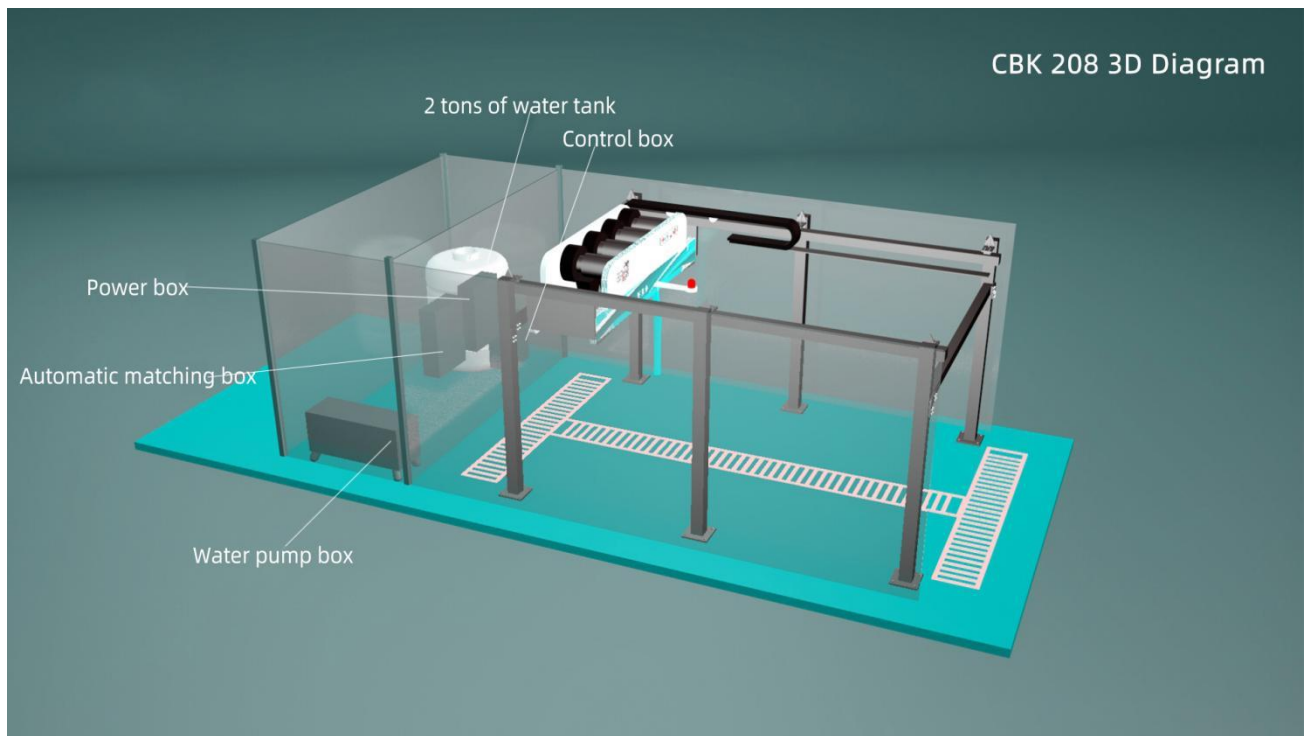
CBK208 Site Planning

I. Site planning renderings

Plan A:



Plan B:

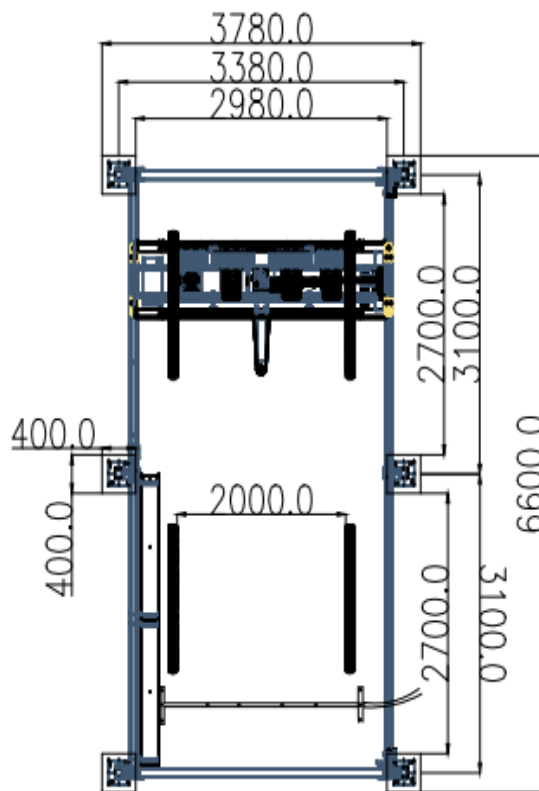


Site Requirement:

Standard: L6.8M*W3.8M*H3.1M

Vehicle: L5.6M*W2.6M*H2.0M

II. Site planning



CBK208 Cement Pier Size:
L400mm*W400mm*D400mm
CBK208 Gutter Size:
L6600mm*W300mm*D300mm

